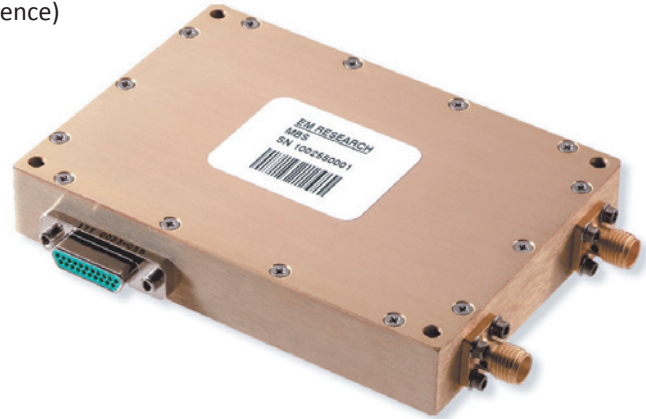


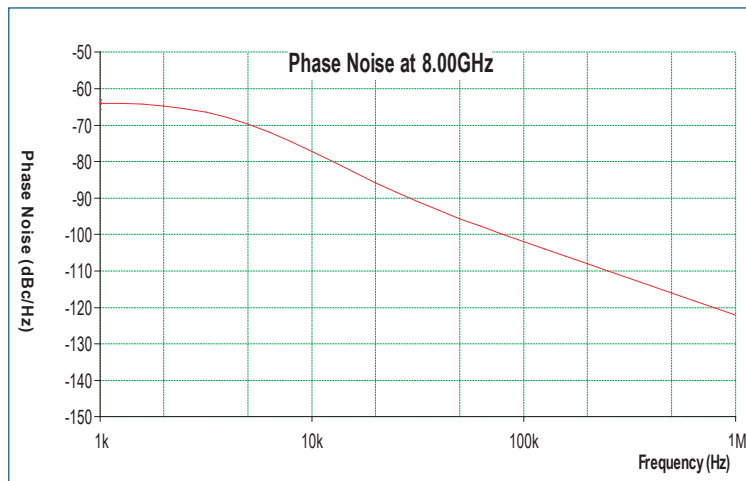
Frequency:	500 to 8000 MHz
Reference:	10 MHz, External (Optional Internal Reference)
Step Size:	100 KHz
Switching Speed:	<10 mSec.
Output Power:	+7 dBm
Harmonics:	<-20 dBc
Spurs:	<-60 dBc
VCC:	+5V @ 230 mA (typical)
Temp Range:	-30°C to +70°C
Phase Noise @ 500 MHz:	<-90 dBc @ 10 KHz <-110dBc @ 100 KHz
Phase Noise @ 8 GHz:	<-75 dBc @ 10 KHz <-95 dBc @ 100 KHz

Package: 3.5" x 2.5" x 0.6" • (88.9 x 63.5 x 15.2)mm



*Custom frequencies available. All specifications are typical unless otherwise specified and subject to change without notice.

Phase Noise



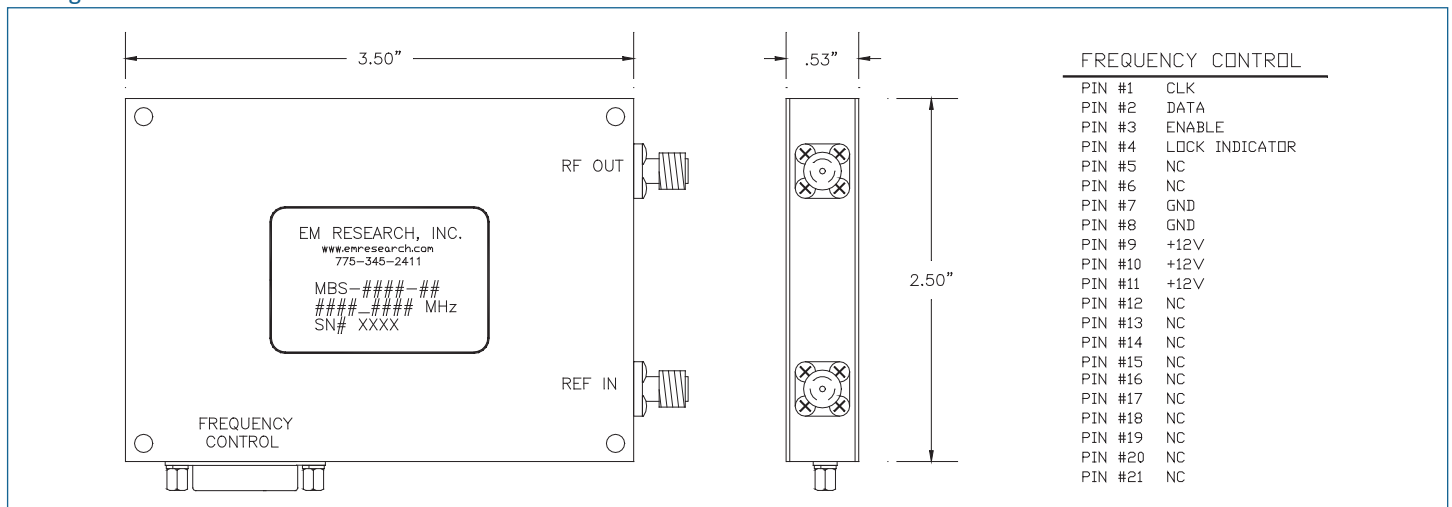
Programming

- Easy-to-Use / Easy-to-Install GUI Interface
- Female SMA (RF Output Connectors)
- Male Micro Mini-D (Programming Connector)
- Optional Programming & Reference Modules Available

Applications

- Automatic Test Equipment (ATE)
- Portable RF Signal Generation
- Engineering / Production Lab Source
- Software Defined Radio
- Electronic Warfare (EW)

Package



Note: All dimensions are in inches, unless otherwise specified

*Drawing not to scale